

# Hybrid Solar System **6.2KW**

Suitable for installation in areas with no grid access or unstable grid infrastructure. Grid feed-in function not supported.



**25.5KWh**

Daily Energy Production

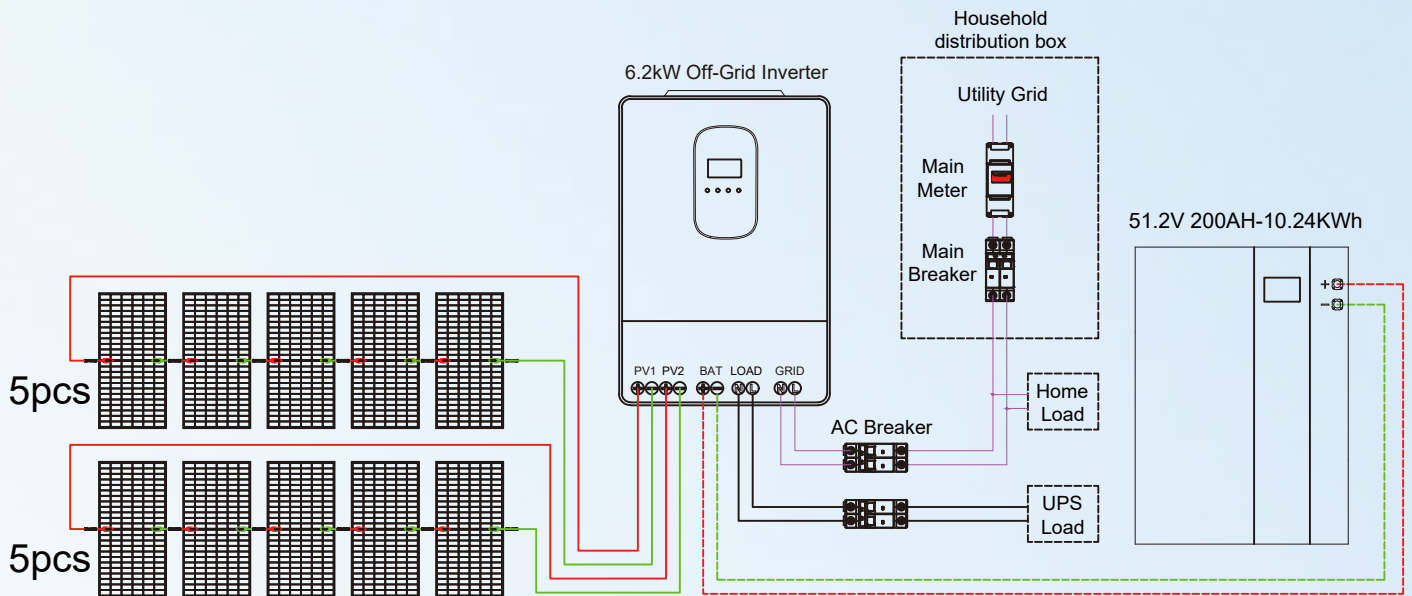
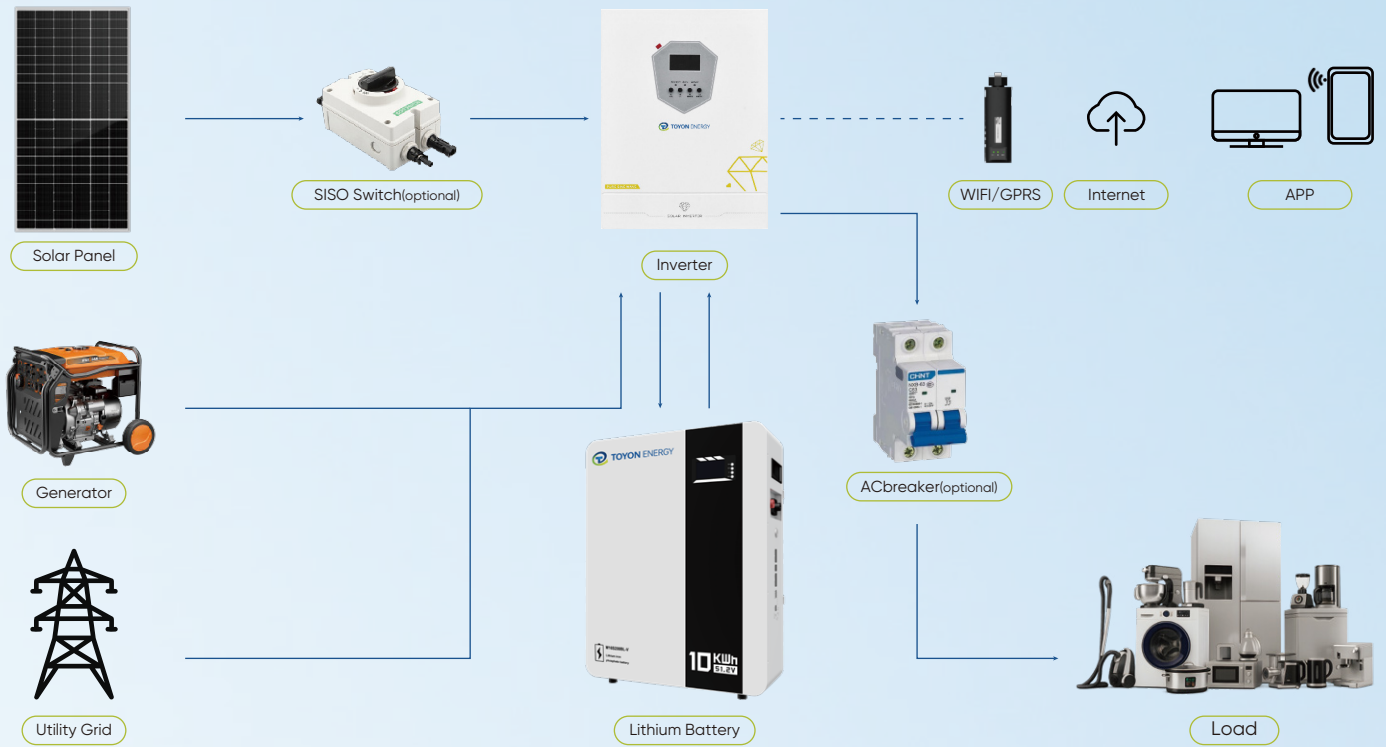


**10.24KWh**

Battery Storage Capacity



# Hybrid Solar System 6.2KW



# Toyon N-Type Bifacial Solar Panel

**630W**

N-type TOPCon modules feature lower LID/LeTID degradation and superior low-light performance.

**25 Years**  
Warranty

**33Kg**  
Weight

**CE, TUV**  
Certification

**0-+5W**  
Tolerance

**2382\*1134\*30mm**  
Size



# Toyon Lithium Battery

10.24Kwh (51.2V 200Ah)

- Supports multiple loads simultaneously for reliable power delivery
- Operating temperature  $-20^{\circ}\text{C}$  to  $55^{\circ}\text{C}$  (optional)
- Rack-mounted for optimized space utilization

**>6000 @ 80% DOD**  
Battery Cycle

**CE UN38.3**  
Certification

**10 Years**  
Long Warranty

**EVE (top 3)**  
Battery Cell Brand

**No risk of fire or explosion**  
Multi Safty Tests



# Toyon Hybrid Inverter

6.2KW

- Automatic restart for lithium batteries, easier charging
- Optional touch screen panel
- Adjustable charging voltage for different batteries
- CT anti-backflow function, auto grid detection
- PF1.0, high efficiency, low loss, energy saving
- PV grid-connected for electricity cost saving
- External WIFI for real-time monitoring
- Built-in lithium battery BMS function

## Real-time monitoring

External WIFI

**5 Years**  
Warranty

**>98%**  
Conversion Efficiency

**CE**  
Certification

## Lithium & Lead Acid

Compatible



# PV Mounting Solution

---

- Customize the layout plan based on the specific roof conditions.
- Aluminum Alloy Bracket, 10-Year Warranty

