

Hybrid Solar System **3.6KW**

Suitable for installation in areas with no grid access or unstable grid infrastructure. Grid feed-in function not supported.



14.5KWh

Daily Energy Production

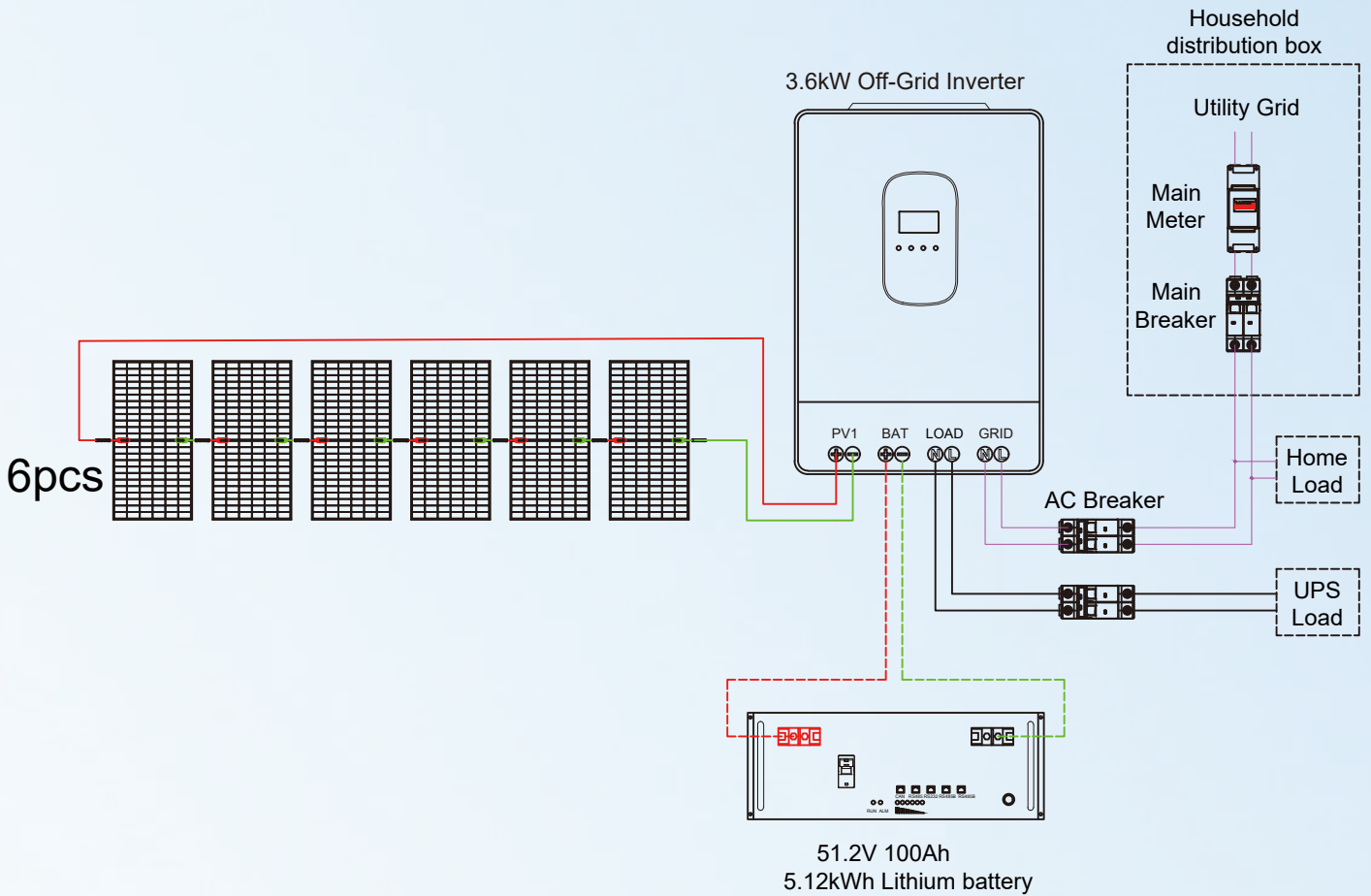
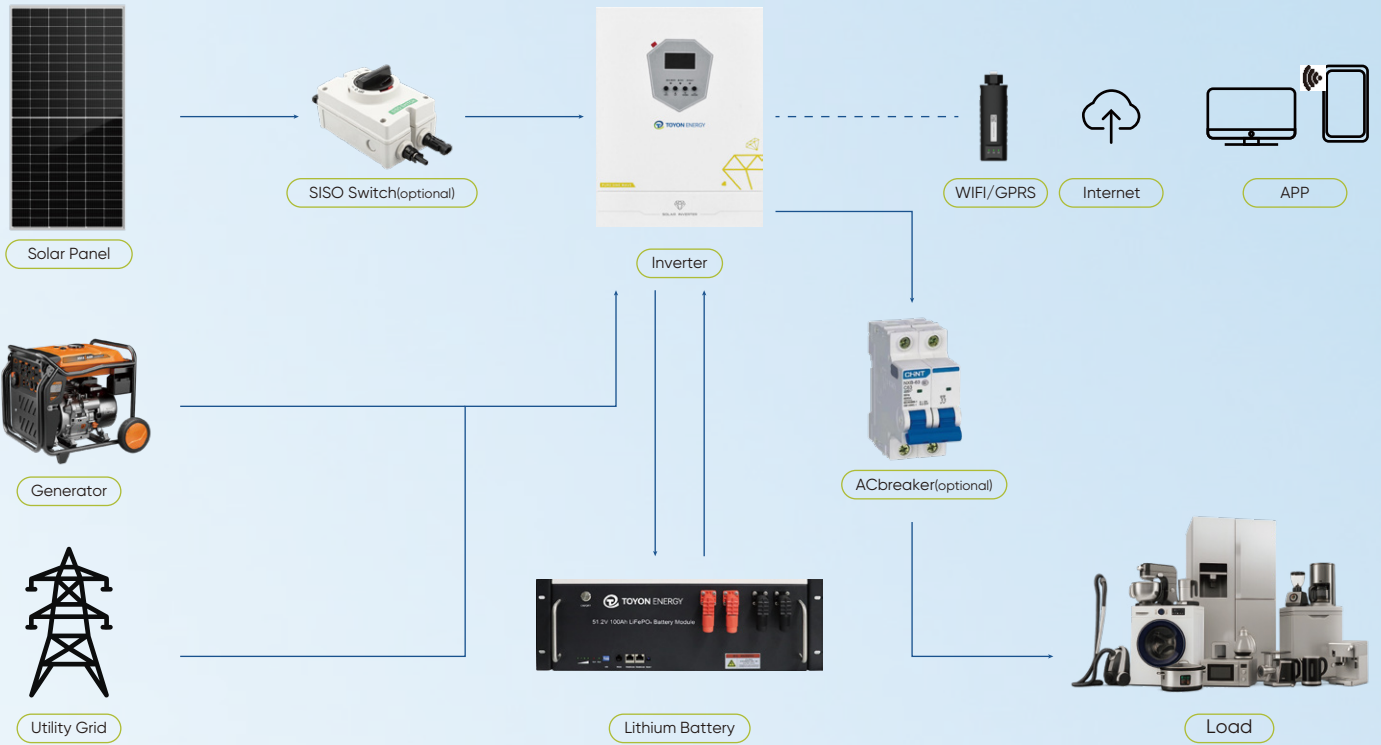


5.12KWh

Battery Storage Capacity



Hybrid Solar System 3.6KW



Toyon N-Type Bifacial Solar Panel

630W

N-type TOPCon modules feature lower LID/LeTID degradation and superior low-light performance.

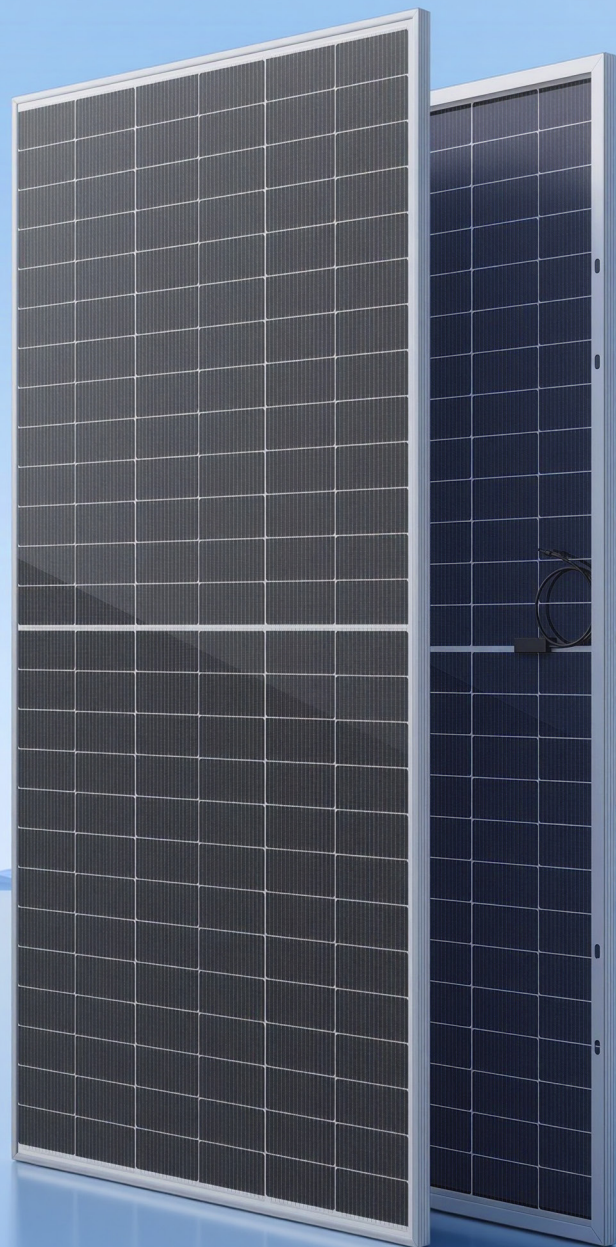
25 Years
Warranty

33Kg
Weight

CE, TUV
Certification

0-+5W
Tolerance

2382*1134*30mm
Size



Toyon Lithium Battery

5.12Kwh (51.2V 100Ah)

- Supports multiple loads simultaneously for reliable power delivery
- Operating temperature -20°C to 55°C (optional)
- Rack-mounted for optimized space utilization

>6000 @ 80% DOD
Battery Cycle

CE UN38.3
Certification

10 Years
Long Warranty

EVE (top 3)
Battery Cell Brand

No risk of fire or explosion
Multi Safety Tests



Toyon Hybrid Inverter

3.6KW

- Automatic restart for lithium batteries, easier charging
- Optional touch screen panel
- Adjustable charging voltage for different batteries
- CT anti-backflow function, auto grid detection
- PF1.0, high efficiency, low loss, energy saving
- PV grid-connected for electricity cost saving
- External WIFI for real-time monitoring
- Built-in lithium battery BMS function

Real-time monitoring

External WIFI

5 Years
Warranty

>98%
Conversion Efficiency

CE
Certification

Lithium & Lead Acid

Compatible



PV Mounting Solution

- Customize the layout plan based on the specific roof conditions.
- Aluminum Alloy Bracket, 10-Year Warranty

